



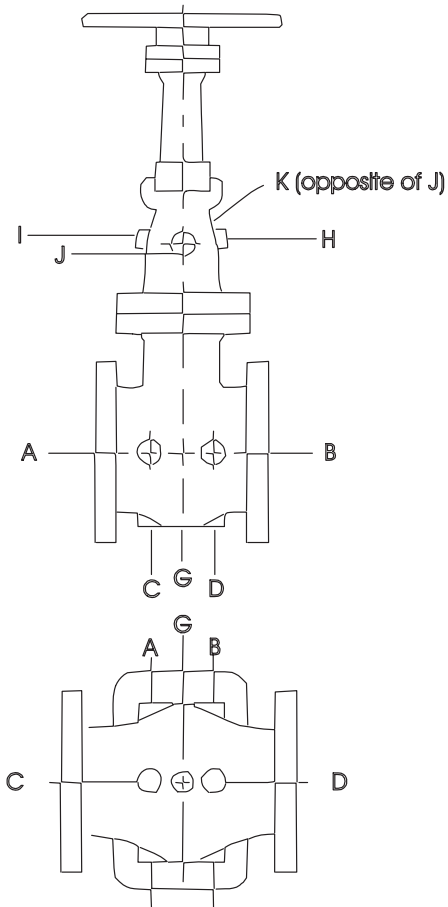
Drain & Bleed Connections

Xanik valves can be furnished with drain connections at any of the locations shown below. Standard drain connections are the same size as shown below and are drilled, tapped and plugged.

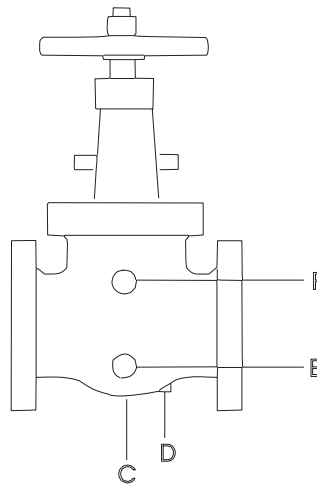
| | | | |
|------------------|-----------|-------|---------|
| Main valve size: | 1 1/2"-4" | 5"-8" | 10"-36" |
| Drain size: | 1/2" | 3/4" | 1" |

However, "special request" drain connections can be furnished with threaded or seal welded 6" long nipples with or without shut-off valves. Complete descriptions of desired configurations should be included in your inquiry.

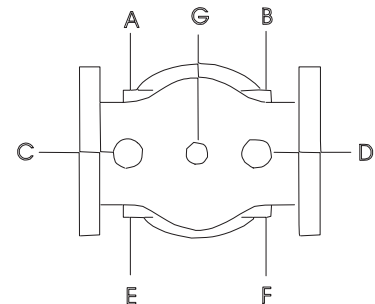
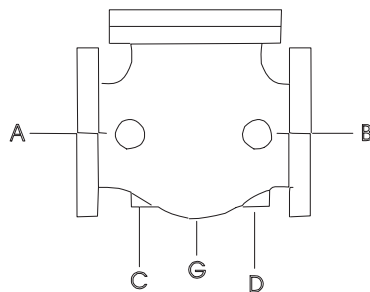
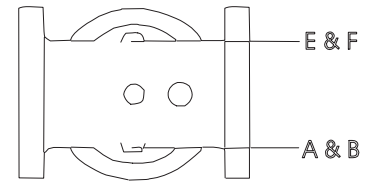
Bleed valves can be supplied upon request. Xanik standard bleed valve is a gate valve, but other configurations can be furnished.



Gate Valves



Globe Valves



Check Valves