



By-Passes

By-passes serve two purposes. First, they are used in steam service to warm-up the line before the main valve is opened. Second, they are used on steam and other lines to balance the pressure on both sides of the main valve wedge or disc to aid in opening a large valve.

Valves can be furnished with all welded-on by-passes when specified. By-passes are equipped with a single OS&Y globe valve with a pressure/temperature rating and corrosion resistance equal to or exceeding that of the main valve.

Main valve size: 1 1/2"-4" 5"-8" 10"-36"

By-pass size: 1/2" 3/4" 1"

By-passes on valves 4" and larger are furnished to comply with MSS Standard Practice SP-45, Series A.

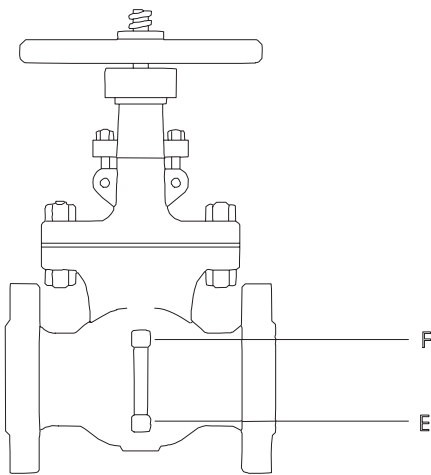
Gate valve by-passes shall be regularly attached to the side of the main valve with the stems of both valves parallel and pointing upward (between locations A & B).

Globe valve by-passes shall be regularly attached to the right side of the main valve with the stems of valve parallel and pointing upward. The right side of the globe valve is the side at the right when facing the flow port which leads to the underside of the disc (between location E & F).

Bleed, drain and by-pass piping can be furnished with manual or remote actuated valves, as required.

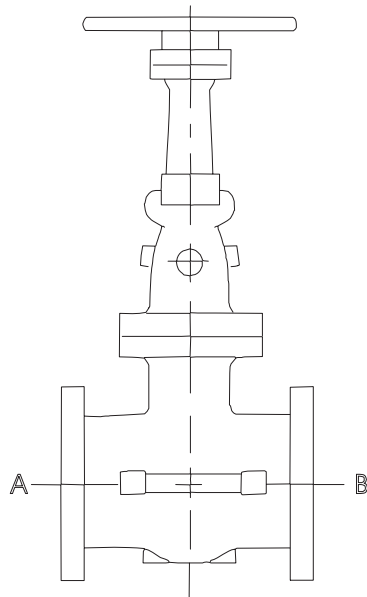
Where service conditions warrant larger-than-standard by-passes, it is recommended that the installation of the by-passes be around the main valve.

Smaller Globe Valve



Side View

Gate & Globe Valves



Bottom View